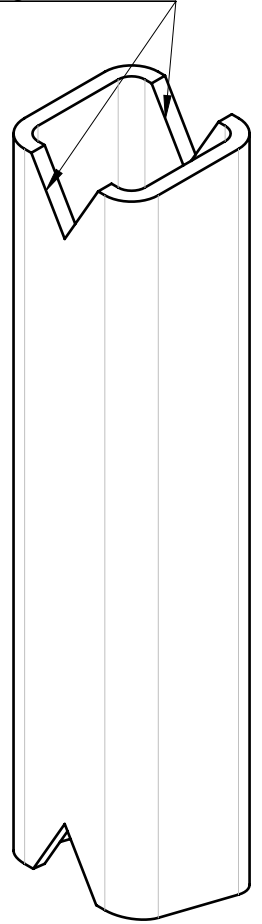
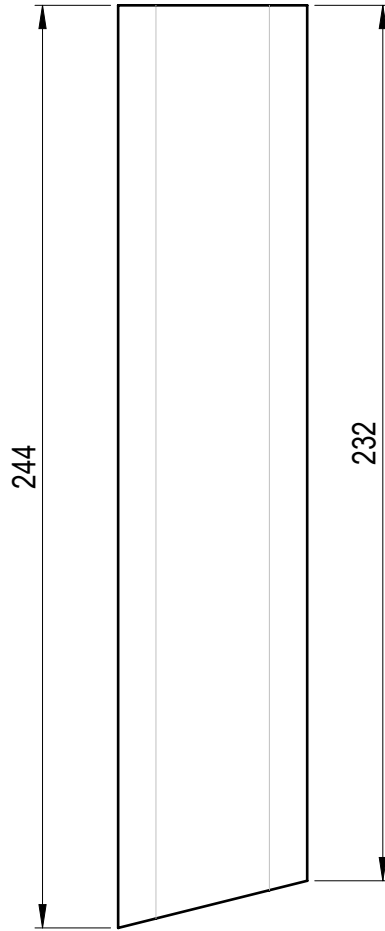
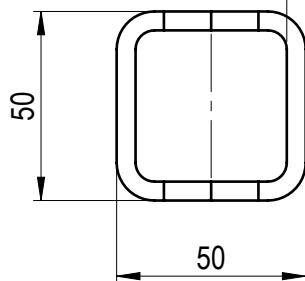
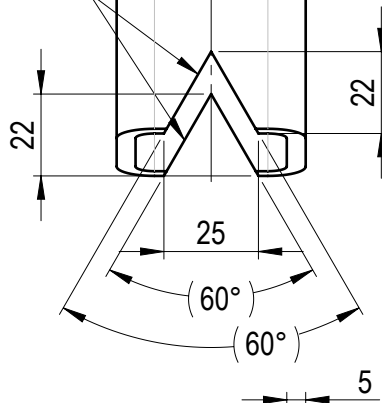


Triangle cut-out for HDG.
Must go through tube walls!



Triangle cut-out for HDG.



Cut-outs may be made using hand tools

RAW MATERIAL INFORMATION	
Profile size	SHS 50x50x5.0
Length, mm	244

	MATERIAL	S355J2	WEIGHT	1.509 Kg	DEBURR AND BREAK SHARP EDGES DO NOT SCALE DRAWING	REVISION	DATE	02.06.2025		
	SURFACE PROTECTION	-	MACHINING	ISO 2768 mK	THERMAL CUTTING	ISO 9013 221	WELDING	ISO 13920 BF	SCALE 1:2	FORMAT A4
NAME	SIGNATURE	PART NO.							105-09221-10	
Designed by	D. Dislers	DESCRIPTION							Vertical tube 1	
Drawn by	E. Kriviss								SHEET 1/1	
Technical ref.										